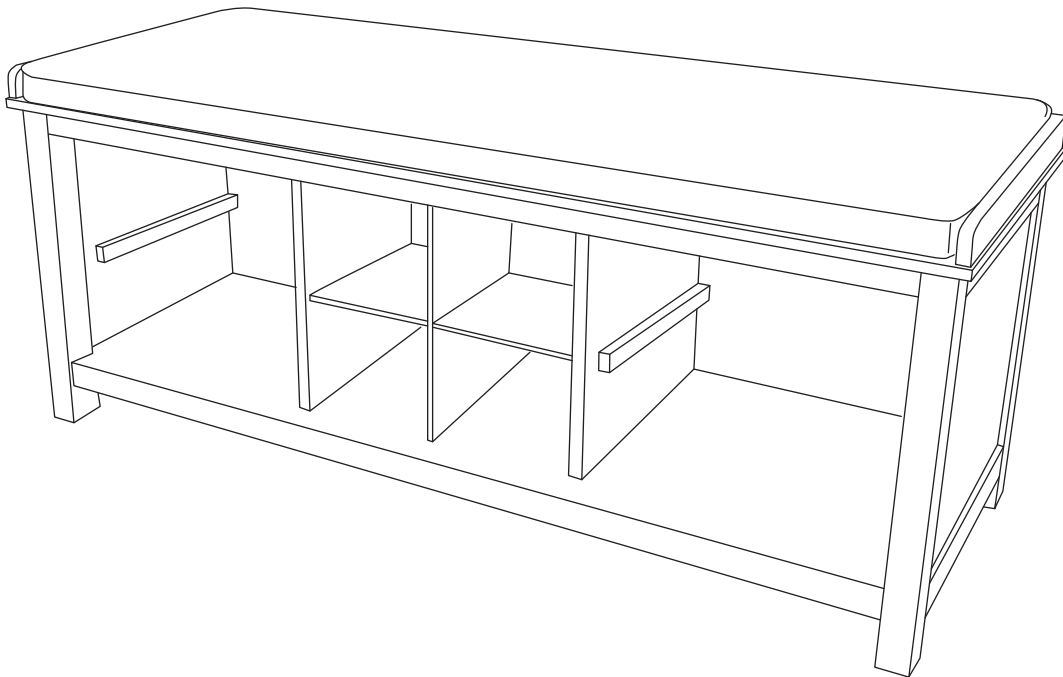


# JOHN LOUIS HOME

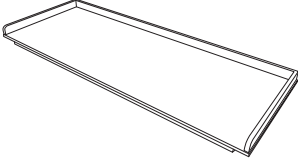
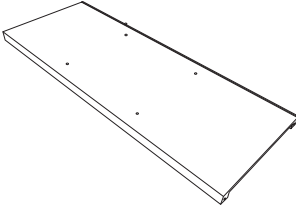
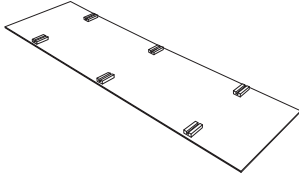
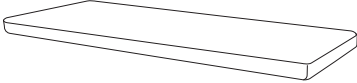
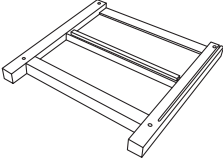
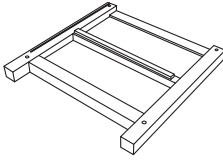
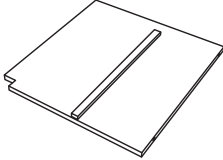
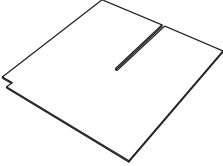
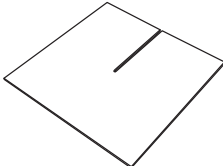
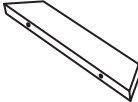
Solid Wood Home Storage Solutions

## Entryway Bench

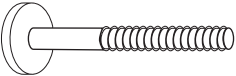


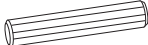
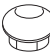
JLH-EB\*




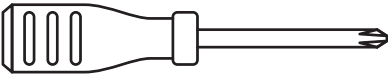

## Parts List

			
<b>A 1</b> Top	<b>B 1</b> Base	<b>C 1</b> Back	
			
<b>D 1</b> Cushion	<b>E 1</b> Left Side	<b>F 1</b> Right Side	<b>G 2</b> Spacer
			
<b>H 1</b> Horizontal Insert	<b>I 1</b> Vertical Insert	<b>J 1</b> Bottom Support	

## Hardware List

				
<b>K 8</b> Barrel Bolt	<b>L 8</b> Barrel Nut	<b>M 2</b> #8-1in. Screw	<b>N 8</b> Wood Dowel	<b>O 8</b> Bolt Cap

## Required Tools

		
<b>Q 1</b> Allen Wrench	Screw Driver	<b>P 1</b> Touch Up Pen

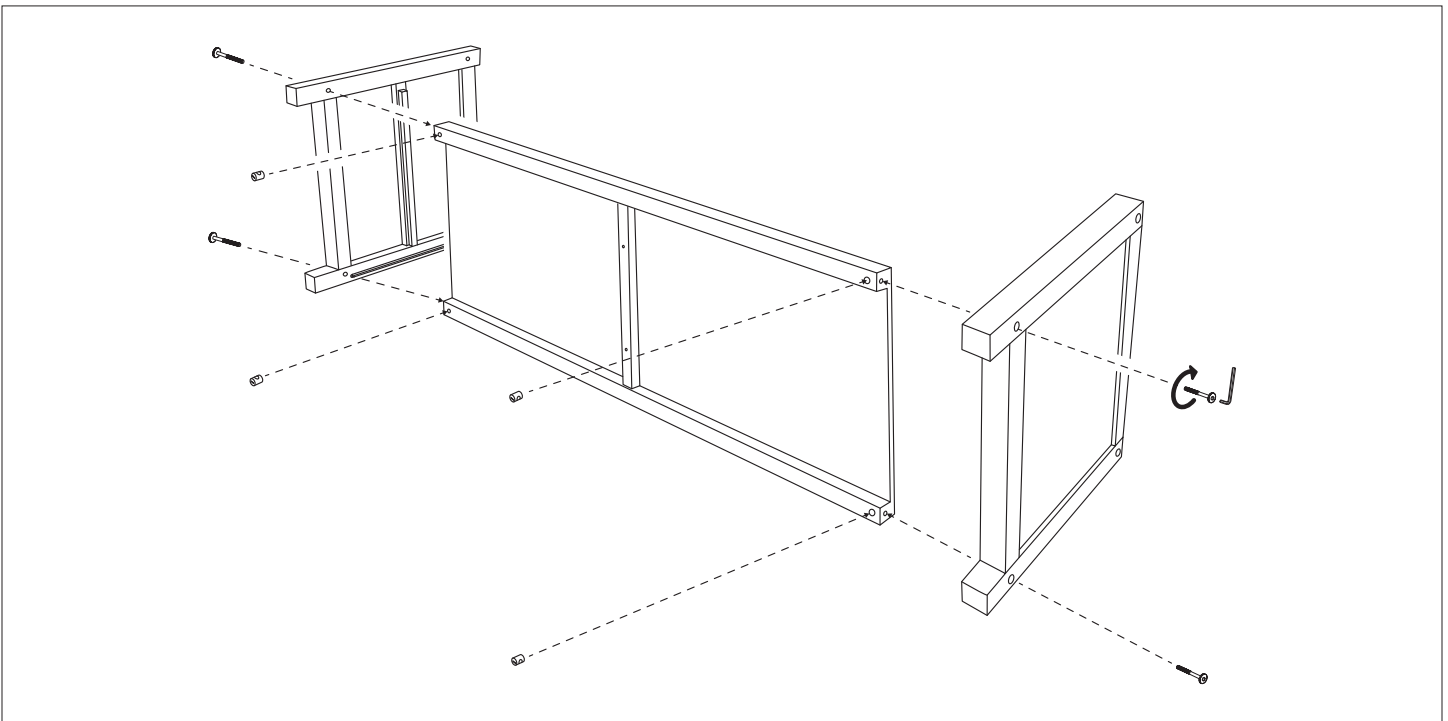
Thank you for your purchase. For any product or installation questions, damages, replacement or missing parts please contact us at:

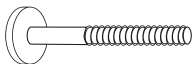

**1.800.480.6975**

service@johnlouishome.com

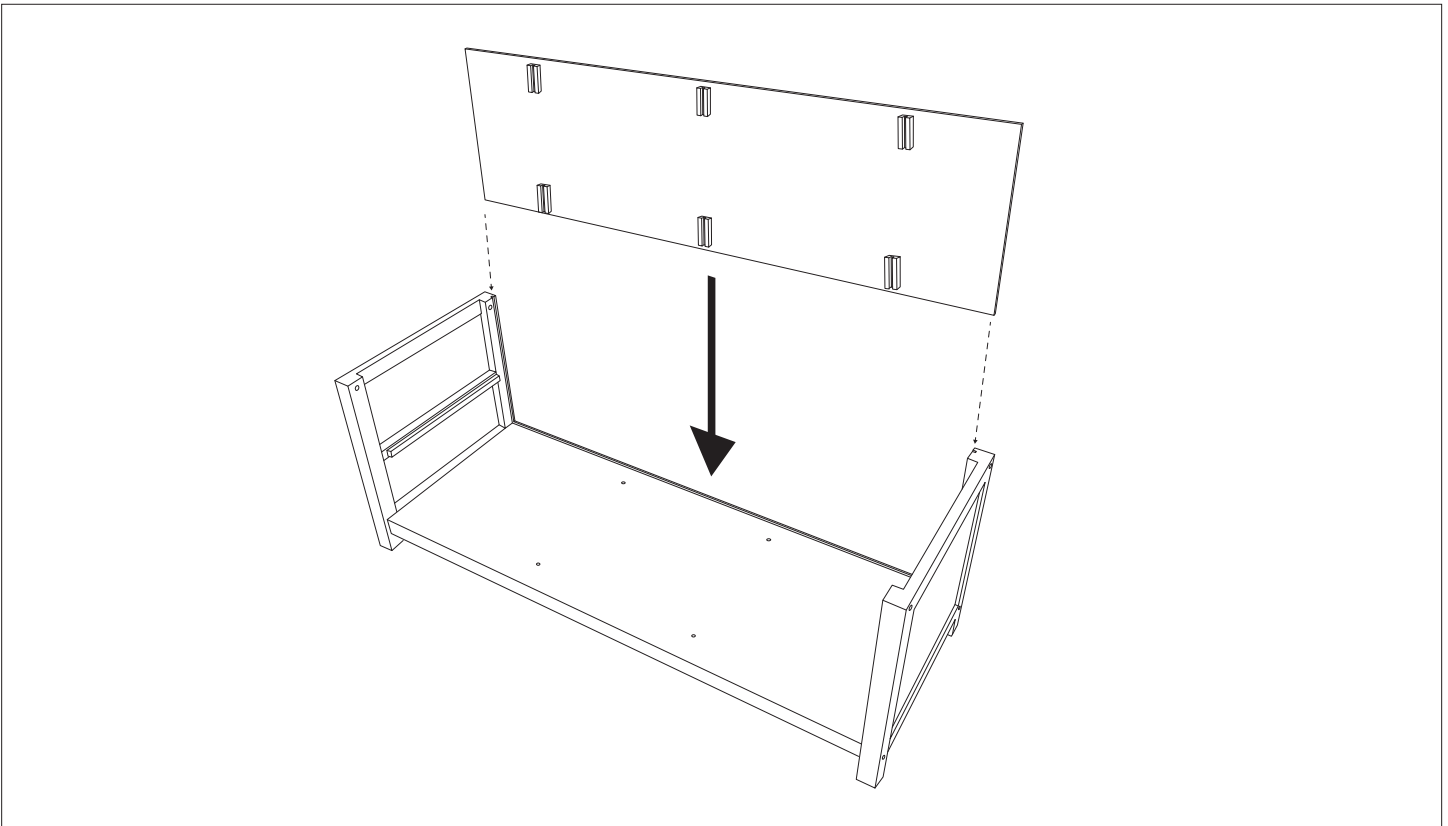
www.johnlouishome.com

## Step 1

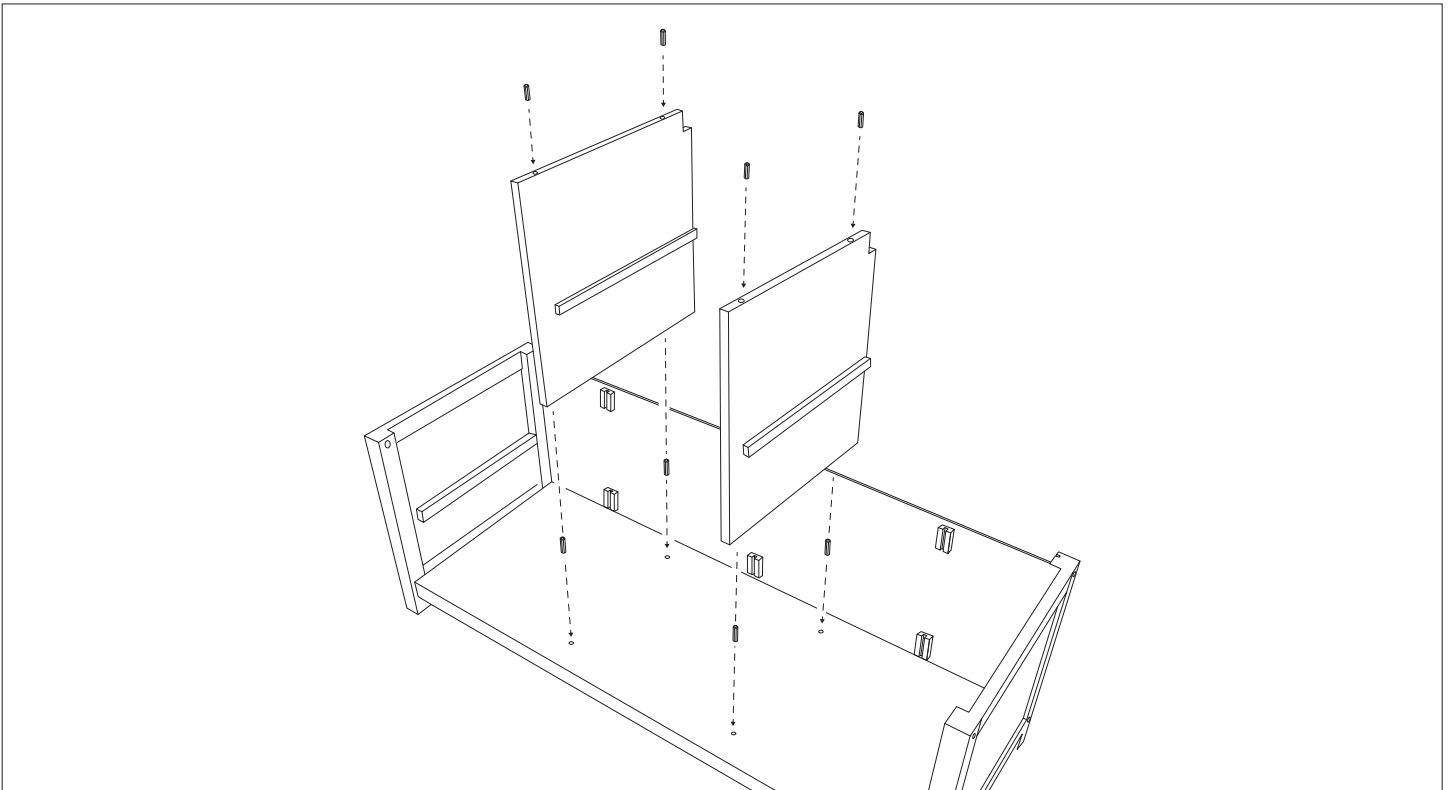


<b>4</b>		<b>4</b>	
----------	---	----------	---

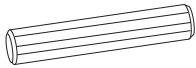
## Step 2



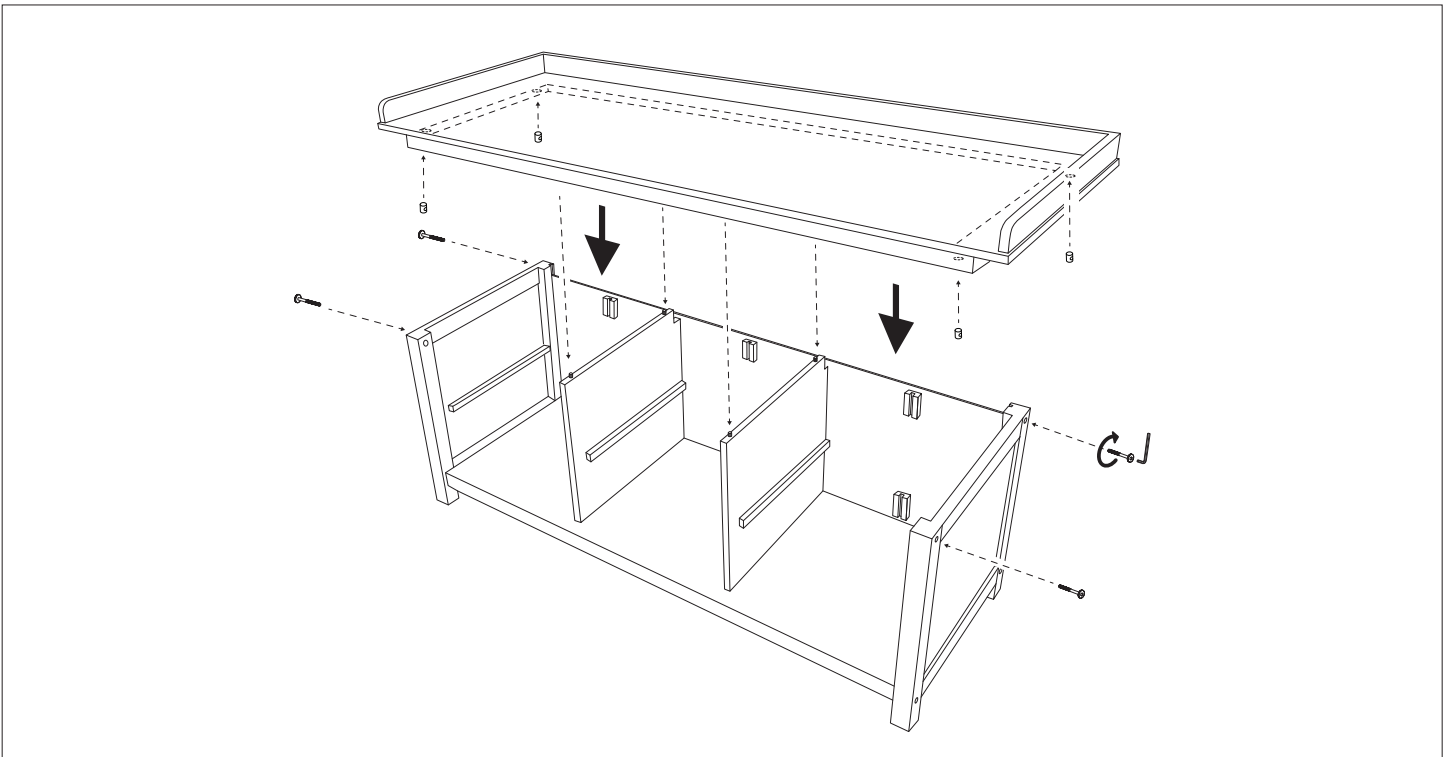
### Step 3



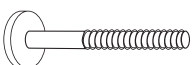
8



### Step 4



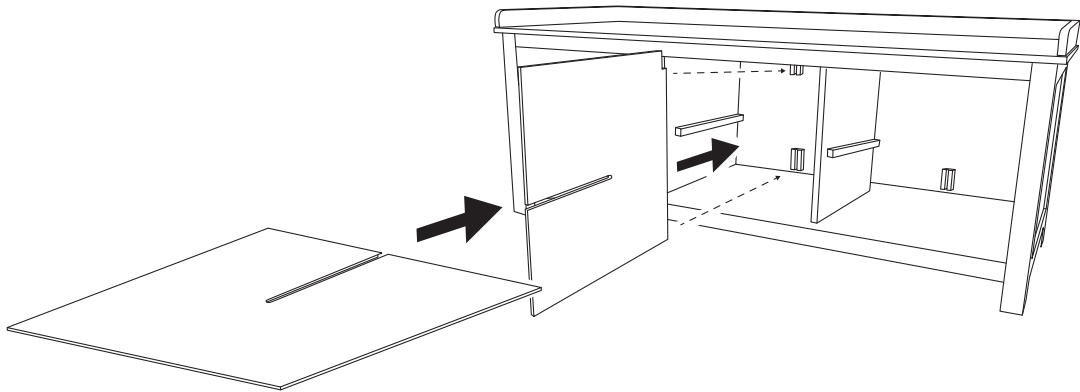
4



4

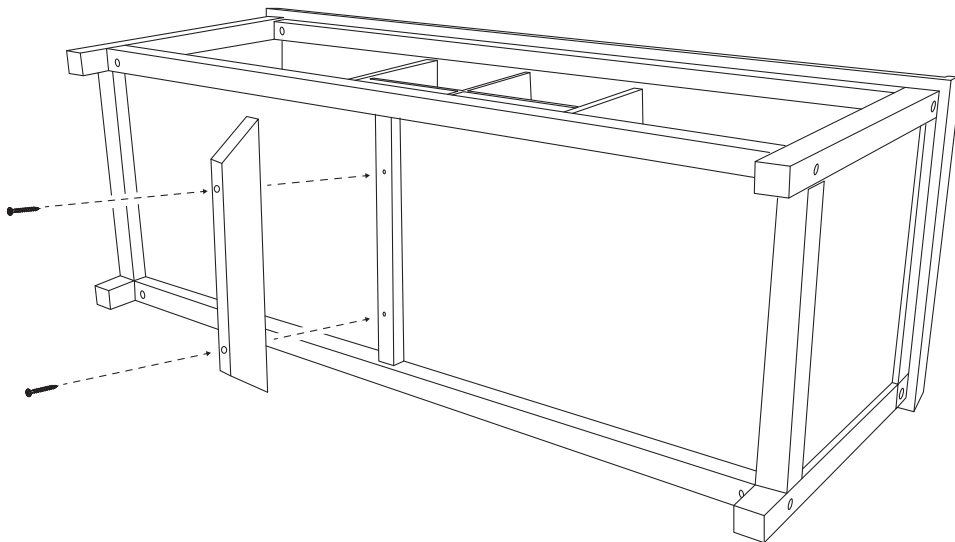


## Step 5



*Add more shoe inserts to your entryway bench! Available at [www.johnlouishome.com](http://www.johnlouishome.com).*

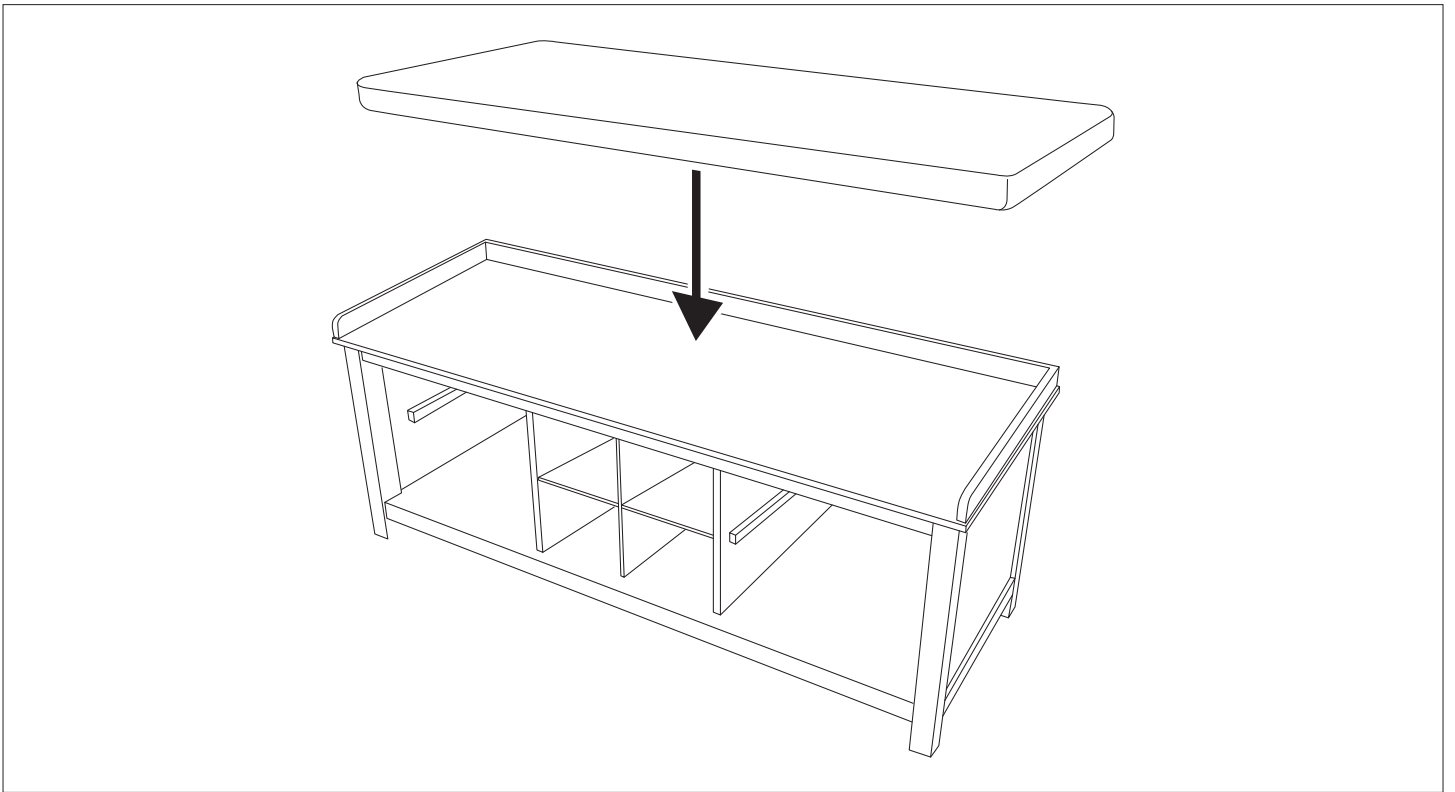
## Step 6 (Optional)



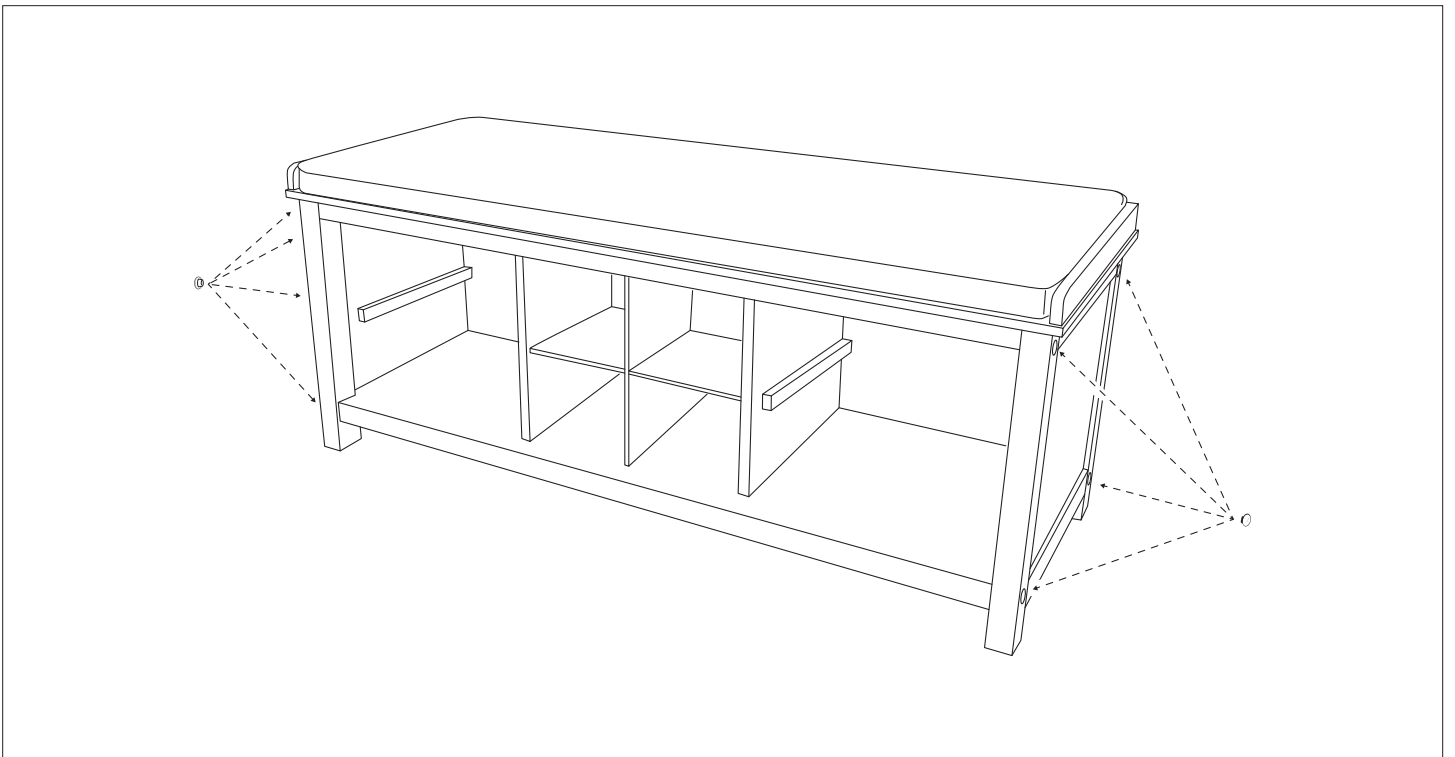
2



## Step 7



## Step 8



8

