

JOHN LOUIS HOME

Solid Wood Home Storage Solutions



Installation Instructions

12in. & 16in. Pull Out Belt/Tie Rack

JLH-740, 741

PARTS LIST:



Quantity: 1
Belt/tie rack



Quantity: 2
Mounting bracket



Quantity: 8
1/4 in. machine screw



Quantity: 4
#6 1/2 in. screw



Quantity: 4
3/4 in. screw

Required Tools For Installation:

The following tools will be needed to assemble and install your John Louis Home product:

- Pencil
- Phillips Screwdriver
- Powered Drill with Phillips Bit (optional)

Contact Us:

For questions concerning missing or damaged parts, technical specs and / or assembly help, please contact John Louis Home Customer Service at:

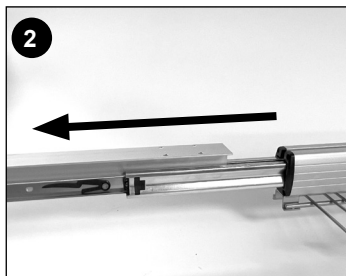
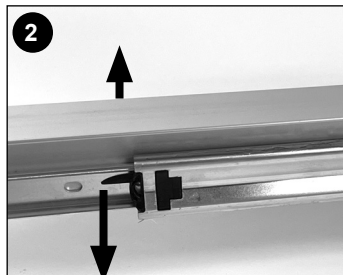
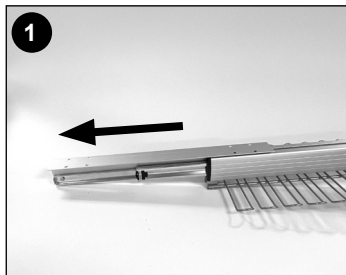
Email: service@johnlouishome.com

Web: www.johnlouishome.com

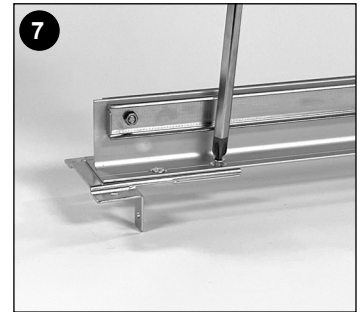
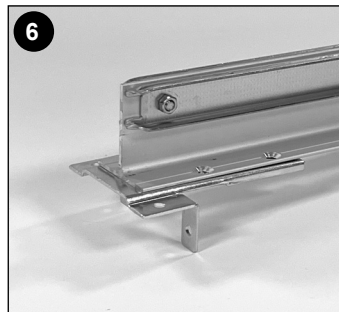
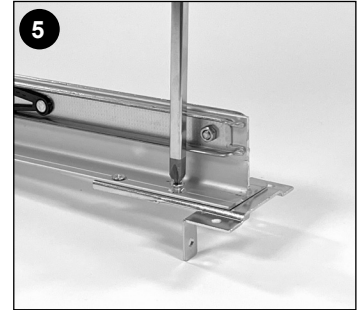
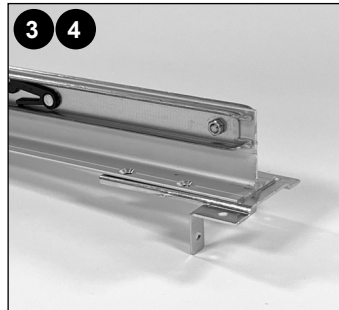
Phone: 1.800.480.6985 (Mon-Fri, 8am-4pm, Central)

STEP 1: Attach Brackets To Slide

1. Fully extend the glide.
2. Move lever to release glide.

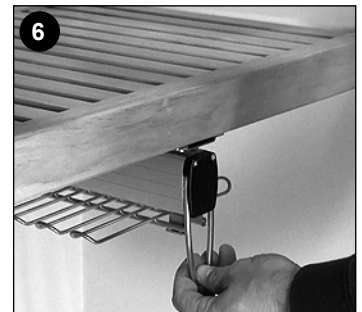
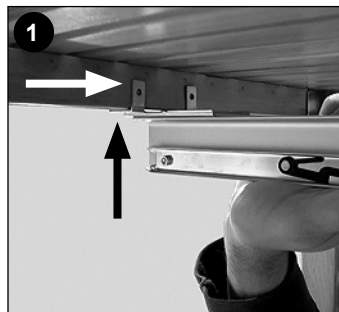


3. Place bracket facing down with flanges outward.
4. Place glide onto bracket & align screw holes.
5. Secure with 1/4 in. machine screws.
6. Insert bracket under opposite side.
7. Secure with 1/4 in. machine screws.



STEP 2: Attach Pant Rack To Shelf

1. Place slide in the desired location.
2. Secure using #6 3/4 in. screws at upper hole locations.
3. Secure using #6 1/2 in. screws at lower hole locations.
4. Repeat for opposite end.
5. Insert Rack onto glide.
6. Move in & out to lock glide.



For additional product information including step-by-step Installation Videos, Frequently Asked Questions, Storage Tips and more, please visit: johnlouishome.com/resources